

C&H SERVICES SBU



RIFOdirt - RS9290

Y Strainer with CS body

■ What is RIFOdirt - RS9290 ?

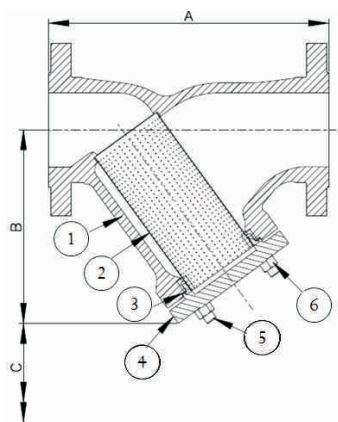
The RIFOX strainer RS9290 is a cast steel body 'Y' type strainer with strainer screen of 0.8mm perforated backing.

Material

No.	Component	Material	Specification
1	Body	Cast Iron	ASTM A216 Gr. WCB
2	Strainer Screen*	St. Steel	ASTM A240 TP 304
3	Gasket *	St. Steel + Graphite	ASTM A240 TP 304+ Graphite
4	Strainer Cap	Cast Steel	ASTM A216 Gr. WCB
5	Stud#	Carbon Steel	ASTM A193 Gr. B7
6	Nut#	Carbon Steel	ASTM A194 Gr. 2H

* Spares available on request

Applicable only for DN32, DN40 & DN50



Body Design Conditions

Parameter	Screwed	#150	#300
Maximum Operating Pressure - PMO (kg/cm ²)	52	20	52
Maximum Operating Temperature - TMO (°C)	425	425	425
Hyd. Test (kg/cm ²)	104	40	104

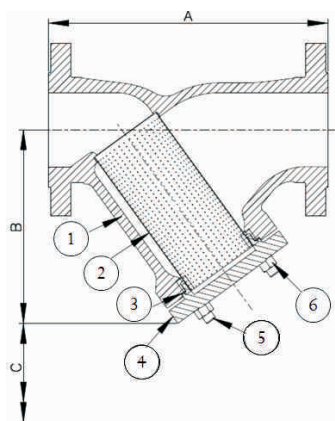
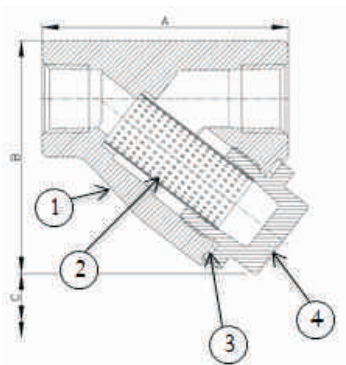
End Connections :

Screwed NPT is standard, other end connections available on request.

Weld on flanges to ANSI B16.5 #150, #300 / DIN (Optional)

Sizes : DN15, DN20, DN25, DN32, DN40, DN50 & DN80

Certifications : IBR



Dimensions & Weight

Size	A	B	C	Weight
DN 10	76	73	95	0.85
DN 15	76	73	95	0.90
DN 20	100	90	110	1.35
DN 25	125	100	120	1.90
DN 32	146	142	140	3.7
DN 40	146	155	140	4
DN 50	184	200	190	6.4

Size	A	B	C	Weight
DN 40	200	140	150	8.4
DN 50	230	177	190	11.3
DN 80	310	220	235	29

Ordering Guidance

RS9290 - Size - End Connection - IBR / Non IBR

A product of RIFOX GmbH - A THERMAX group company

For more information, please get in touch with your nearest Thermax representative. You can also mail us at info.c&hservices@thermaxindia.com or visit us at : www.thermaxindia.com.

In view of our constant endeavor to improve the quality of our products, we reserve the right to alter or change specifications without prior notice. All photographs shown in this publication are representative in purpose, and to be used for reference only. For actual details and specifications, please refer to Thermax offer document.



THERMAX

Sustainable Solutions in
Energy & Environment

COOLING & HEATING DIVISION Services SBU

D - 13, MIDC Industrial Area, R. D. Aga Road,
Chinchwad, Pune 411 019. INDIA
Tel. : +91-20-6615 5578
1800-209-0115 (India Toll Free)
Fax : +91-20-2747 7080
E-mail : info.c&hservices@thermaxindia.com

AHMEDABAD 380 006

Tel. : (079) 2657 5408 / 5341 / 7073
Fax : (079) 2657 7270
E-mail : aadmin@thermaxindia.com

BANGALORE 560 001

Tel. : (080) 2237 1721- 25
Fax : (080) 2237 1726
E-mail : adminblr@thermaxindia.com

CHENNAI 600 018

Tel. : (044) 2430 3400
Fax : (044) 2435 3841
E-mail : chennaidivsupp@thermaxindia.com

HYDERABAD 500 081

Tel. : (040) 2325 3700
Fax : (040) 2325 3799
E-mail : hyd_sec@thermaxindia.com

MUMBAI 400 039

Tel. : (022) 6754 2222, 2285 2058
Fax : (022) 2204 0859
E-mail : madmin@thermaxindia.com

NEW DELHI 110 034

Tel. : (011) 4608 7200
Fax : (011) 2614 8662
E-mail : psupport@thermaxindia.com

KOLKATA 700 017

Tel. : (033) 2282 6711 - 13
Fax : (033) 2282 6796
E-mail : dipudas@thermaxindia.com

International Offices:

MIDDLE EAST (DUBAI)

Tel: +9714-8861424;
E-mail: info@thermaxdubai.ae

SOUTH EAST ASIA (MALAYSIA)

Tel: +60127798493
Email: thermax@tm.net.my

HO, AFRICA, SAARC & OTHER COUNTRIES

Tel: +91-20-6615 5000
Email: info.c&hservices@thermaxindia.com

International offices:

Indonesia, Russia, Kazakstan, Saudi Arabia,
Bangladesh, Sri Lanka, Hong Kong, China,
Thailand, Malaysia, Philippines, UAE, Kenya,
Nigeria, Brazil, UK, USA

Thermax Business Portfolio

Boilers & Heaters

Absorption Cooling

Air Pollution Control

Captive Power

Chemicals

Water & Waste Solutions