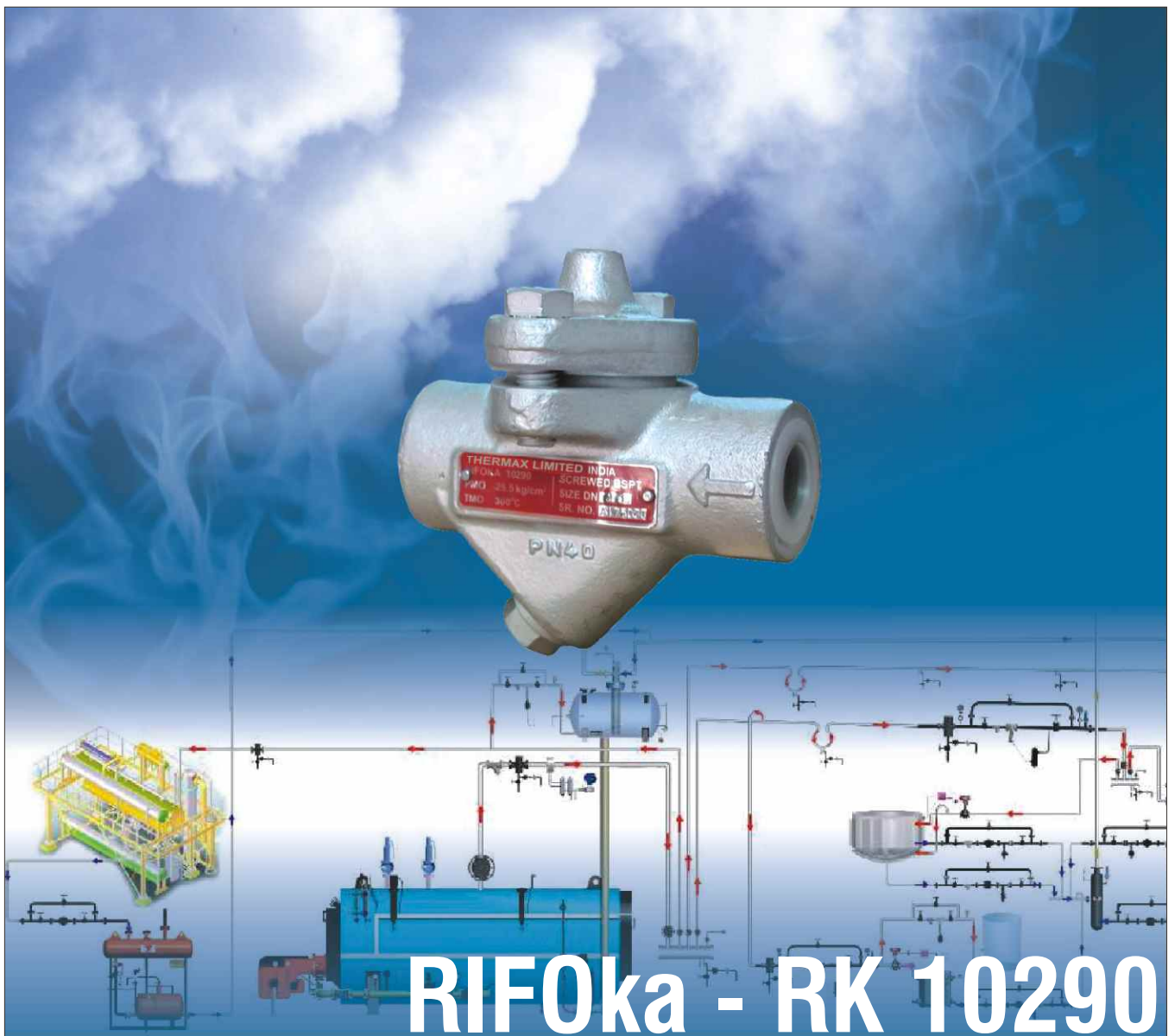


C&H SERVICES SBU



RIFOKa - RK 10290

Thermostatic Steam Trap

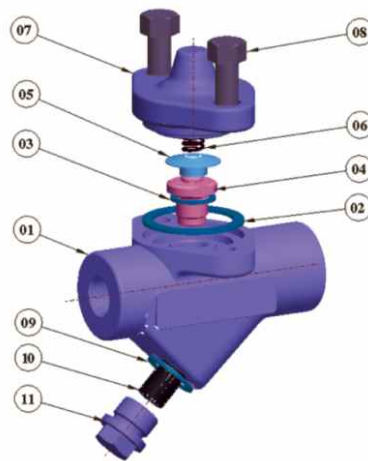
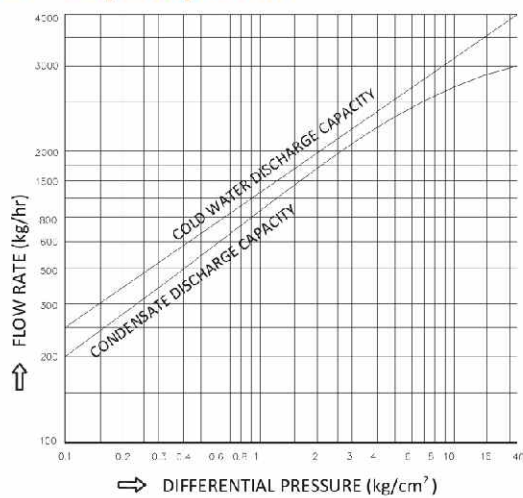
■ What is RIFOKa - RK 10290 ?

The RIFOKa RK10290 is a forged carbon steel body balanced pressure thermostatic steam trap / automatic air vent with a built in strainer. The trap is provided with a capsule having 10° sub-cooling as standard.

Materials

No.	Component	Material	Specification
01	Body	Forged Carbon Steel	ASTM A105
02	Body gasket	St. Steel + Graphite	ASTM A240 TYPE 304+ Graphite
03	Capsule seat gasket	St. Steel	ASTM A240 TYPE 304
04	Capsule seat	St. Steel	ASTM A276 TYPE 431
05	Capsule	St. Steel	ASTM A240 TYPE 316Ti
06	Spring	St. Steel	ASTM A240 TYPE 304
07	Top cover	Forged Carbon Steel	ASTM A105
08	Hex. bolt	St. Steel	ASTM A193 Grade B7
09	Strainer cap gasket	St. Steel	ASTM A240 TYPE 304
10	Strainer	St. Steel	ASTM A240 TYPE 304
11	Strainer cap	Forged Carbon Steel	ASTM A743 CA 40

Capacity Chart



Body Design Conditions

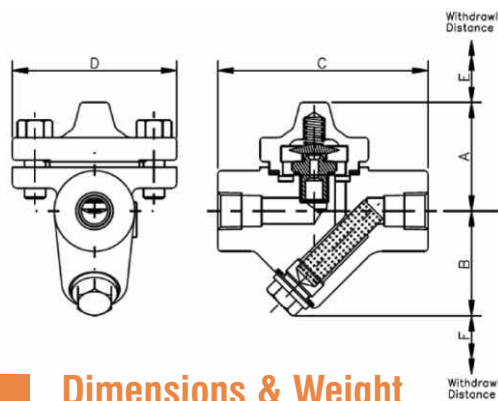
Parameter	
Maximum Operating Pressure - PMO (kg/cm ²)	40
Maximum Operating Temperature - TMO (°C)	425
Hyd. Test (kg/cm ²)	80

End Connections :

- Screwed BSPT / NPT
- Socket weld ends

Sizes : DN 15, DN 20 & DN 25

Certifications : IBR



Dimensions & Weight

Size	A	B	C	D	E	F	Weight
DN 15	62	60	120	94	60	15	2.4
DN 20	62	60	120	94	60	15	2.5
DN 25	62	60	120	94	60	15	2.6

Ordering Guidance :

RK10290 - Size - End connection - IBR / Non IBR

A product of RIFOX GmbH - A THERMAX group company

For more information, please get in touch with your nearest Thermax representative. You can also mail us at info.c&hservices@thermaxindia.com or visit us at : www.thermaxindia.com.

In view of our constant endeavor to improve the quality of our products, we reserve the right to alter or change specifications without prior notice. All photographs shown in this publication are representative in purpose, and to be used for reference only. For actual details and specifications, please refer to Thermax offer document.



THERMAX

Sustainable Solutions in
Energy & Environment

COOLING & HEATING DIVISION Services SBU

D - 13, MIDC Industrial Area, R. D. Aga Road,
Chinchwad, Pune 411 019. INDIA
Tel. : +91-20-6615 5578
1800-209-0115(India Toll Free)
Fax : +91-20-2747 7080
E-mail : info.c&hservices@thermaxindia.com

AHMEDABAD 380 006

Tel. : (079) 2657 5408 / 5341 / 7073
Fax : (079) 2657 7270
E-mail : aadmin@thermaxindia.com

BANGALORE 560 001

Tel. : (080) 2237 1721- 25
Fax : (080) 2237 1726
E-mail : adminblr@thermaxindia.com

CHENNAI 600 018

Tel. : (044) 2430 3400
Fax : (044) 2435 3841
E-mail : chennaidivsupp@thermaxindia.com

HYDERABAD 500 081

Tel. : (040) 2325 3700
Fax : (040) 2325 3799
E-mail : hyd_sec@thermaxindia.com

MUMBAI 400 039

Tel. : (022) 6754 2222, 2285 2058
Fax : (022) 2204 0859
E-mail : madmin@thermaxindia.com

NEW DELHI 110 034

Tel. : (011) 4608 7200
Fax : (011) 2614 8662
E-mail : psupport@thermaxindia.com

KOLKATA 700 017

Tel. : (033) 2282 6711 - 13
Fax : (033) 2282 6796
E-mail : dipudas@thermaxindia.com

International Offices:

MIDDLE EAST (DUBAI)

Tel: +9714-8861424;
E-mail: info@thermaxdubai.ae

SOUTH EAST ASIA (MALAYSIA)

Tel: +60127798493
Email: thermax@tm.net.my

HO, AFRICA, SAARC & OTHER COUNTRIES

Tel: +91-20-6615 5000
Email: info.c&hservices@thermaxindia.com

International offices:

Indonesia, Russia, Kazakstan, Saudi Arabia,
Bangladesh, Sri Lanka, Hong Kong, China,
Thailand, Malaysia, Philippines, UAE, Kenya,
Nigeria, Brazil, UK, USA

Thermax Business Portfolio

Boilers & Heaters

Absorption Cooling

Air Pollution Control

Captive Power

Chemicals

Water & Waste Solutions