

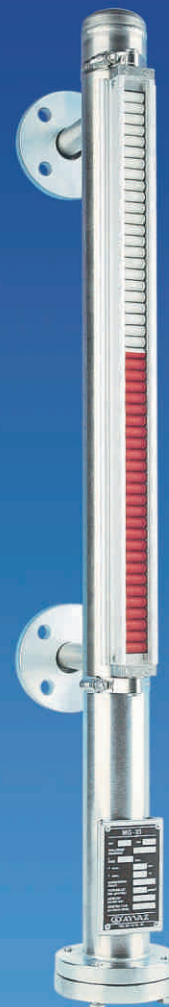
Cooling & Heating Division

MAGNETIC LEVEL GAUGES

Typical Applications

All steam boilers
All liquid tanks
Chemical industry
LPG tanks
Underground tanks

TMLG



MAIN FEATURES

This TMLG Level Control Device is a comfortable and safe device designed with the basic principles of buoyancy and electromagnetic attraction repulsion.

The magnets inside the liquid level following float excite the red - white colored flaps on the outer wall so that liquid level can be followed from outside continuously and easily TMLG works for various liquids with impervious construction and long life.

SPECIFICATIONS

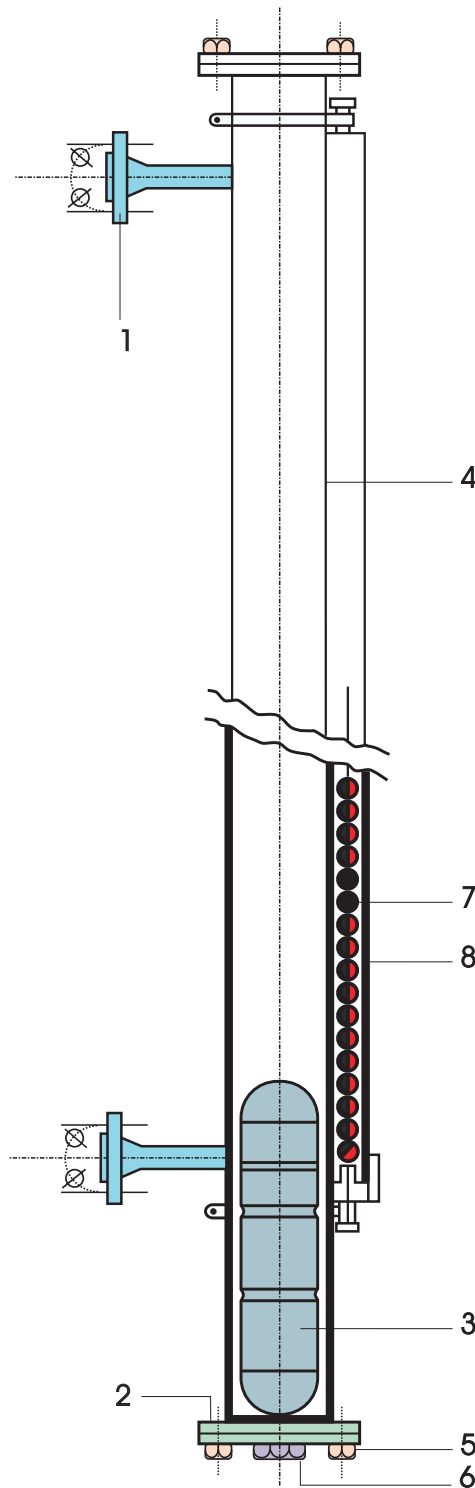
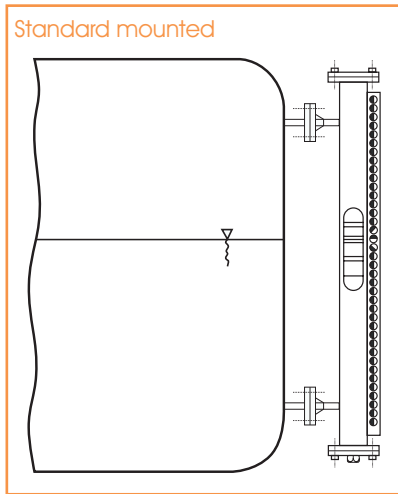
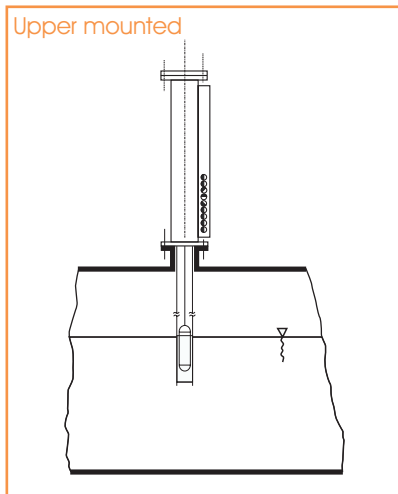
OPERATING CONDITIONS

Max. Allowable Pressure	PMA (bar)	16
Max. Allowable Temperature	TMA (°C)	180

SPARE PARTS

MATERIAL

SPARE PARTS	MATERIAL
1 Connecting flange	Carbon steel, stainless steel DN 20 / PN 10, 16, 32, 40
2 Blank flange	Carbon steel, stainless steel DN 50 / PN 10, 16, 32, 40
3 Float	Stainless steel PN 40
4 By - pass tube	Stainless Steel AISI 304/316
5 Bolt	Stainless Steel AISI 304
6 Drain	Stainless Steel AISI 304
7 Magnetic disc	Plastic + magnet
8 Display glass	Plexiglass



HOW TO ORDER

When ordering or requesting for offer, please state:

- Type of operating fluid
- Specific gravity (upto 2 decimals),
- Operating and design pressure, for system
- Operating and design temperature, for system
- Centre to centre distance (C-C) required
- Visible length,
- Type of vessel connections. (from standard scope)

Special inspection and certification available on request

In view of our constant endeavor to improve the quality of our products, we reserve the right to alter or change specifications without prior notice.



THERMAX

Sustainable Solutions in
Energy & Environment

COOLING & HEATING DIVISION

Services SBU - FEMS

D - 13, MIDC Industrial Area, R. D. Aga Road,
Chinchwad, Pune 411 019. INDIA
Tel.: +91-20-2747 5941
Fax: +91-20-2747 7080
E-mail: info.c&hservices@thermaxindia.com

AHMEDABAD 380 006

Tel.: (079) 2657 5408 / 5341 / 7073
Fax: (079) 2657 7270
E-mail: mambiar@thermaxindia.com

BANGALORE 560 020

Tel.: (080) 2346 7761 - 64
Fax: (080) 2346 7760
E-mail: adminblr@thermaxindia.com

CHENNAI 600 018

Tel.: (044) 2435 3831 - 34
Fax: (044) 2435 3841
E-mail: chennaidivsupp@thermaxindia.com

HYDERABAD 500 482

Tel.: (040) 2339 6820, 2331 0254
Fax: (040) 2331 2335
E-mail: hyd_sec@thermaxindia.com

MUMBAI 400 016

Tel.: (022) 2204 5391, 2204 5324
Fax: (022) 2204 0859
E-mail: psecretat@thermaxindia.com

NEW DELHI 110 057

Tel.: (011) 2614 5319, 2614 5701
Fax: (011) 2614 5311, 2614 8679
E-mail: psupport@thermaxindia.com

KOLKATA 700 016

Tel.: (033) 2282 6711 - 13
Fax: (033) 2282 6769
E-mail: mbiswas@thermaxindia.com

VADODRA 390 005

Tel.: (0265) 231 4802, 234 5442
Fax: (0265) 231 0051
E-mail: pbaroda@thermaxindia.com

www.thermaxindia.com

International offices at
Indonesia, Russia, Kazakstan, Saudi Arabia,
Malaysia, Bangladesh, Sri Lanka, Hong Kong, China
Thailand, UAE, Kenya, Nigeria, Brazil, UK, USA

Thermax Business Portfolio

Boilers & Heaters

Absorption Cooling

Air Pollution Control

Captive Power

Chemicals

Water & Waste Solutions