



# Energy Environment Solutions for Sustainable Growth



## Bi-Metallic Steam Trap

### STEAM ENGINEERING

#### What is RIFObi 2229?

RIFObi 2229 is a maintainable, robust bimetallic steam trap having unique bow type corrosion resistant bimetallic strip. The trap default position is 'Open'. With increase in temperature bimetallic bow expands and closes the passage of condensate. This is achieved by movement of spindle and valve trim arrangement. Valve travel can be adjusted to suit system requirements, such as super saturation and back pressure. The trap is provided with inbuilt strainer screen which can be cleaned without removal of trap from pipeline.

#### Material

No	Component	Material
1	Body	ASTM A743 CA40
2	Top Cover	ASTM A743 CA40
3	Strainer Cap	ASTM A743 CA40
4	Bimetallic Strip	Bi-metal
5	Plunger	ASTM A276 Tp.420
6	Lock Nut	ASTM A276 Tp.304
7	Spring Lock Washer	ASTM A1008

#### Features

- High chromium alloy steel body resistant to corrosion
- Continuous condensate discharge
- Unaffected by water hammer and vibrations
- Integral 'Y' type strainer provided, which is easy to remove and clean
- Suitable for draining condensate from saturated steam application at sub-cooled temperature

#### Applications

- a) Main line drain, specially recommended for saturated / superheated steam.
- b) Steam tracing in Refinery & Petrochemicals.

No	Component	Material
8	Setting Screw	ASTM A276 Tp.420
9	Valve Seat	ASTM A276 Tp.420
10	Strainer	ASTM A240 Tp.304
11	Valve Seat Gasket	ASTM A1008
12	Body Gasket	SS304 + Graphite
13	Strainer Cap Gasket	ASTM A1008
14	Hex Bolt	ASTM A193 Gr. B7

### Body Design Conditions

Parameters	Value
Maximum Operating Pressure – kg/cm <sup>2</sup>	24
Maximum Operating Temperature – °C	350
Hydro Test Pressure – kg/cm <sup>2</sup>	48

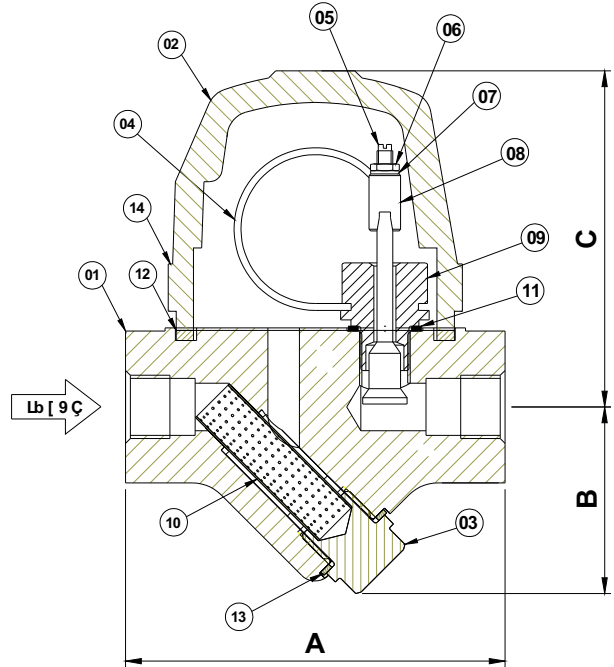
Size : DN15, DN20, DN25

**End Connection :**

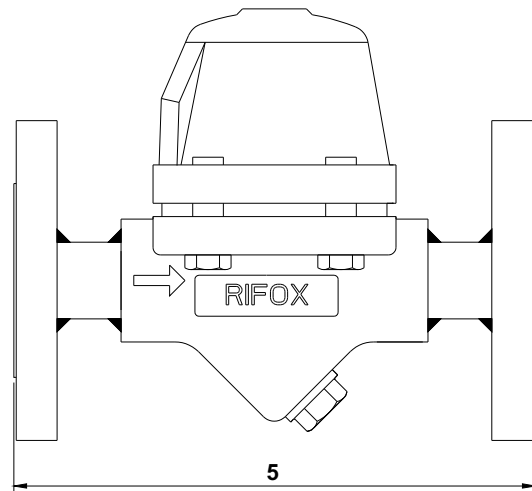
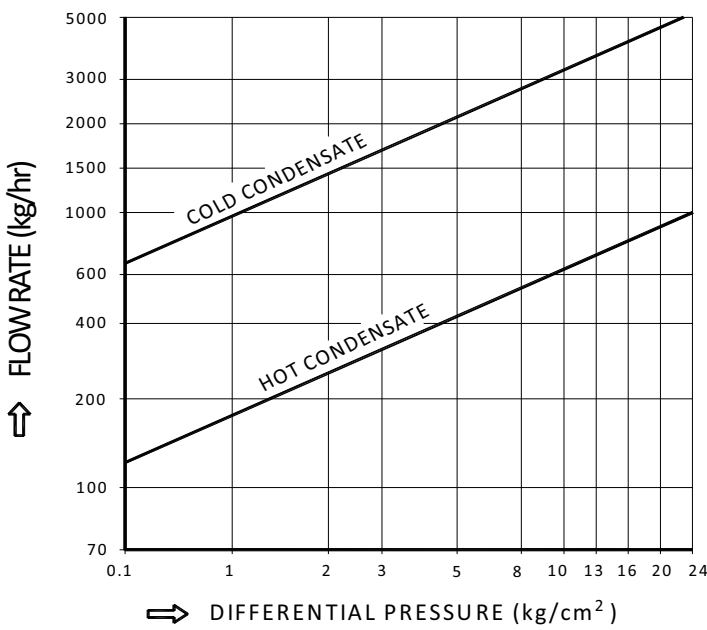
- Screwed NPT is standard, other end connections available on request
- Socket weld ends
- Weld on Flange to ASME/DIN (Optional)

### Dimension (mm) & Weight (kgs)

Size & End Connection	A	B	C	D	Weight
DN15/20/25 SCR / SWE	120	60	105	–	4
DN15/20/25 Flange End	–	60	105	200	6



### Capacity Chart



Product of RIFOX GmbH - A THERMAX group company



**THERMAX**

[www.thermaxglobal.com](http://www.thermaxglobal.com)

Publication No. :

Ver. 1 - Apr 2019

**Registered Office**

D-13, MIDC Industrial Area,  
R D Aga Road, Chinchwad,  
Pune 411019, India

[enquiry@thermaxglobal.com](mailto:enquiry@thermaxglobal.com)

Customer Care: 1800-209-0115



[www.linkedin.com/company/thermax](http://www.linkedin.com/company/thermax)

**Thermax Business Portfolio**

- Heating
- Cooling
- Steam Engineering
- Air Pollution Control
- Chemicals
- Water and Wastewater Solutions
- Solar
- Power